

ADATRAC™ ACCESSORY INSTRUCTIONS

Use these instructions to install ADATRAC™ Accessories. Read and follow these instructions along with the standard instructions carefully before installing or using accessory track.

NOTICE TO INSTALLER: Even if familiar with product, read instructions prior to installation as improvements may be made without notice. Always handle components with care. If you have questions or problems, call customer service. When done, these instructions must be given to the consumer.

NOTICE TO CONSUMER: Before using this product, read special instructions. Save these instructions for future reference.



Questions? 866-630-8726
agricover.com

⚠ WARNING

The ADATRAC™ Accessory Tracks have a load capacity of 75 lbs., evenly distributed on ADARAC™ System including accessories. Always secure cargo properly. Failure to secure cargo or hauling inappropriate cargo may result in personal injury or death. Agri-Cover, Inc. is not responsible for any property damage, personal injury or death incurred while using any Agri-Cover, Inc. product.

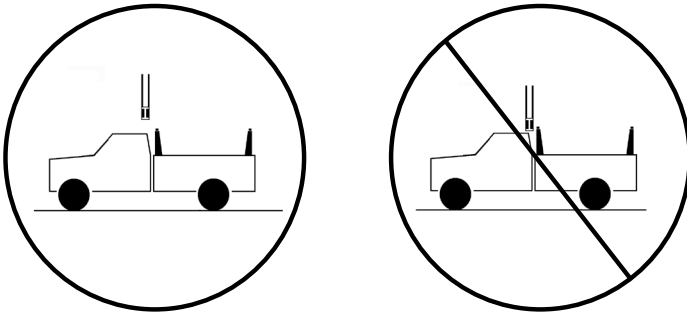
⚠ CAUTION

These products are only intended for transporting cargo evenly distributed on an ADARAC™ System including accessories. It is the responsibility of the user to secure these materials to the rack before transporting. Never load your rack to exceed the safe capacity of your vehicle.

Consult your vehicle's owner's manual for specifications on load ratings and recommendations for installation of aftermarket racks. Never exceed the lower load rating. Heavy loads when carried high can dangerously alter the center of gravity of your vehicle. Any modifications made to this product or use of this product for any other purpose than its intended use could create a hazardous condition that can cause serious personal injury or property damage.

NOTE

Before entering low clearance areas, check height and width clearance to ensure safe entry (empty or loaded).



NOTICE

Any modification or unintended use of this product shall immediately void all manufacturer's warranties. Manufacturer disclaims all liability for injuries to persons or property resulting from any modification to or unintended use of this product.

NOTE: Installation and use of any box rail mounted accessory may cause minor aesthetic damage to exterior of vehicle. Agri-Cover, Inc. makes no claims or warranties as to a particular vehicle's ability to support rail mounted accessories without incurring damage. See your vehicle manufacturer's specifications for bed rail mounted accessories.

PREPARATION

COMPONENTS

- (2) ADATRAC™ Accessory Tracks
- Drill guide
- Hardware

TOOLS NEEDED

- 9/16" Wrench
- Ratchet with 9/16" socket
- Drill with 13/32" bit
- Tape measure
- Clamps
- Level
- Marking pen (optional)
- Protective eyewear

▲ CAUTION: Over tightening hardware may damage components.

NOTE: Hardware appearance and components may vary.

SAFETY INFORMATION

- Read and adhere to safety warnings and cautions.
- Don't exceed weight rating of rack or upright kits and always distribute weight evenly.
- Don't exceed weight rating of truck.
- Always secure objects on ADATRAC™.
- Always use caution when loading or unloading cargo.
- Team load and unload heavy or cumbersome objects.
- Always drive cautiously with cargo on ADARAC™. Additional weight changes dynamics of driving.
- Be aware of total vehicle height and width with ADARAC™ and cargo, ensure safe passage under any low clearances.
- Verify ADATRAC™ and accessories are mounted securely before loading cargo or operating truck.
- Consult your vehicle's owner's manual for load ratings and recommendations of installation of aftermarket racks.

1: INSTALLING ACCESSORY TRACKS

A. On one side, determine desired mounting location of accessory track and perform one of the following:

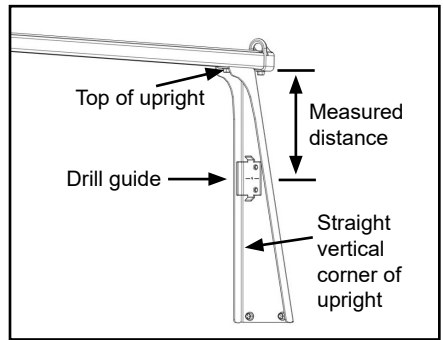
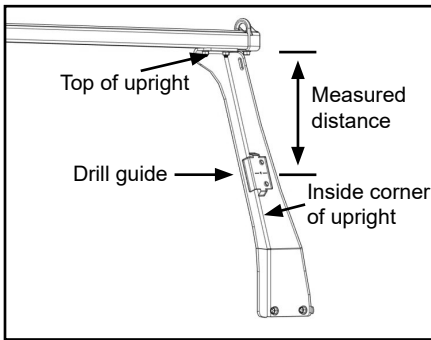
Install on inside of uprights

Place drill guide flush with inner upright corner or if installing on M-Series place vertical toward outer edge of upright, then measure from top of upright to center line on drill guide.

Install on outside of uprights

Place drill guide flush with straight vertical upright corner or if installing on M-Series place vertical toward outer edge of upright, then measure from top of upright to center line on drill guide.

IMPORTANT: If installing on outside of uprights, End Cap Kit is required (PN 4007506). Pro Series can only be installed on the outside of uprights.



B. Mark holes, then drill 13/32" holes through upright.

C. Repeat for opposite upright.

Tip: To prevent scratching or gouging, insert cardboard between upright and clamp.

NOTE: If installing on inside of uprights, insert appropriate square nuts in accessory track for installing add on accessories.

1: INSTALLING ACCESSORY TRACKS (Continued)

IMPORTANT: Ensure top and bottom nut channels are properly lined up with holes before drilling.

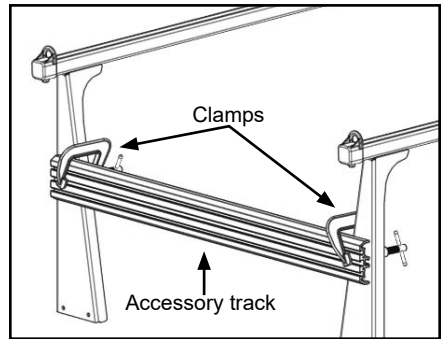
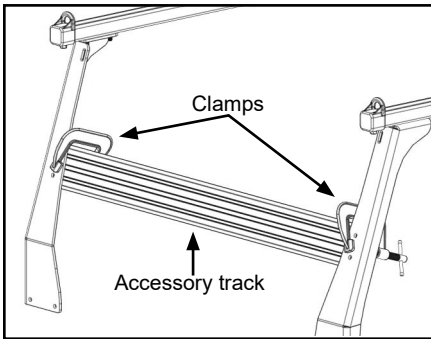
D. Center accessory track on uprights ensuring accessory track is level, then clamp in place. Perform one of the following:

Install on inside of uprights

Drill from outside of upright using previously drilled holes through top and bottom nut channels of accessory track.

Install on outside of uprights

Drill from inside of upright using previously drilled holes through top and bottom nut channels of accessory track.



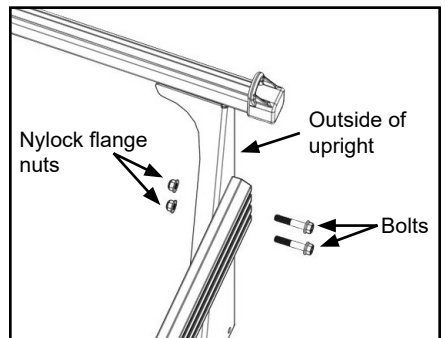
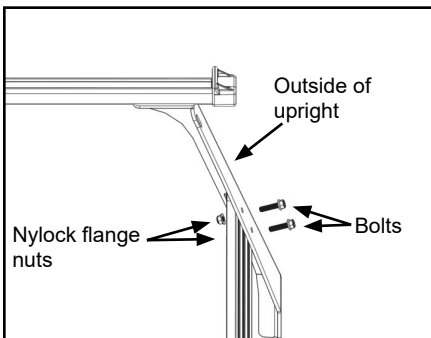
E. Secure accessory track with bolts and nylock flange nuts, ensure nuts are on inside of uprights

NOTE: If installing on outside of uprights, use longer bolts in End Cap Kit.

F. Repeat for opposite side, remove clamps.

G. Repeat Steps 1A-F for remaining accessory tracks.

NOTE: If installed on outside of uprights, proceed to end cap installation.



TROUBLESHOOTING

PROBLEM

ADATRAC™ Accessory Bars are too long

ADATRAC™ Accessory Bars bow down

SOLUTION

Loosen upright bolts, adjust uprights to required location, tighten upright bolts.

Check weight. Do not exceed weight rating.

Check bolts are not loose.

Accessory bar may be damaged and require replacement.

INSPECTION AND MAINTENANCE

The consumer can perform most of inspection and maintenance. It may be necessary to review instructions.

- Periodically inspect condition of all parts. Check for loose bolts and parts, tighten as needed.
- Replace damaged parts.

NOTE: Inspection and/or maintenance should also be performed anytime a malfunction is observed or suspected. If you need assistance inspecting and/or servicing your ADATRAC™ call Customer Service at 866-630-8726. If you want to order a replacement part, call Customer Service. Always use original equipment replacement parts for your ADATRAC™.

MANUFACTURER'S LIMITED WARRANTY

Agri-Cover, Inc. extends the following one (1) year Limited Warranty for the ADATRAC™ Accessories.

Agri-Cover, Inc. warrants for a period of one (1) year from the date of manufacture that its ADATRAC™ Accessories are free from defects in workmanship, under normal use for the vehicle model it was intended for. This Limited Warranty does not cover any damage due to accident, abuse, misuse, alteration, neglect, improper installation, or ordinary wear and tear.

Agri-Cover, Inc.'s sole obligation under this Limited Warranty is limited to the repair or replacement, at its option, of defective parts only. No labor or service allowance is given or implied. IN NO EVENT SHALL AGRI-COVER, INC. BE LIABLE FOR INCIDENTAL, CONSEQUENTIAL, OR SPECIAL DAMAGES. AGRI-COVER, INC. EXPRESSLY DISCLAIMS ANY AND ALL IMPLIED WARRANTIES OF MERCHANTABILITY AND THERE ARE NO WARRANTIES WHICH EXTEND BEYOND THE LIMITED WARRANTY DESCRIPTION CONTAINED HEREIN.

For warranty, fill out the warranty claim form at www.agricover.com/warrantyclaim or call our Customer Service Department at 866-630-8726 to determine if only a replacement part is needed or if the rack needs to be returned for inspection and repair. Goods to be returned must have a pre-authorized RA # (Return Authorization Number) - obtained by calling the number above. Mark the number on the package and ship it freight prepaid to address below. Agri-Cover, Inc. will pay freight to return goods to sender.

This Limited Warranty gives you specific legal rights and you may have other rights, which vary, from state to state.

For replacement parts, shop at adacraparts.com or call Customer Service at 866-630-8726.



Agri-Cover, Inc.
Customer Service Dept
3000 Hwy 281 SE
Jamestown, ND 58401
Phone: 866-630-8726

Hours: 8:00 am - 5:00 pm CST Monday through Friday, except Holidays